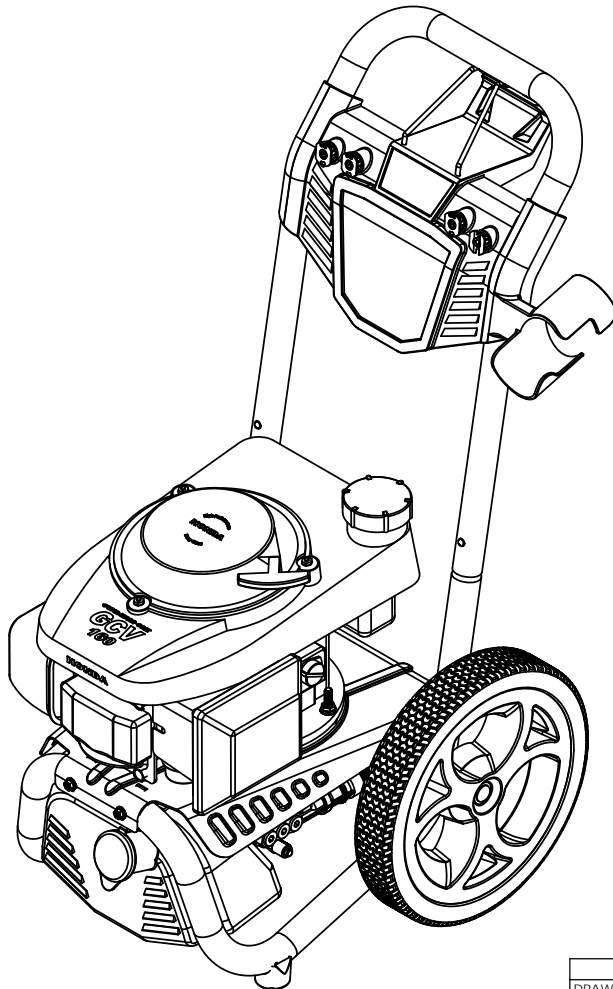
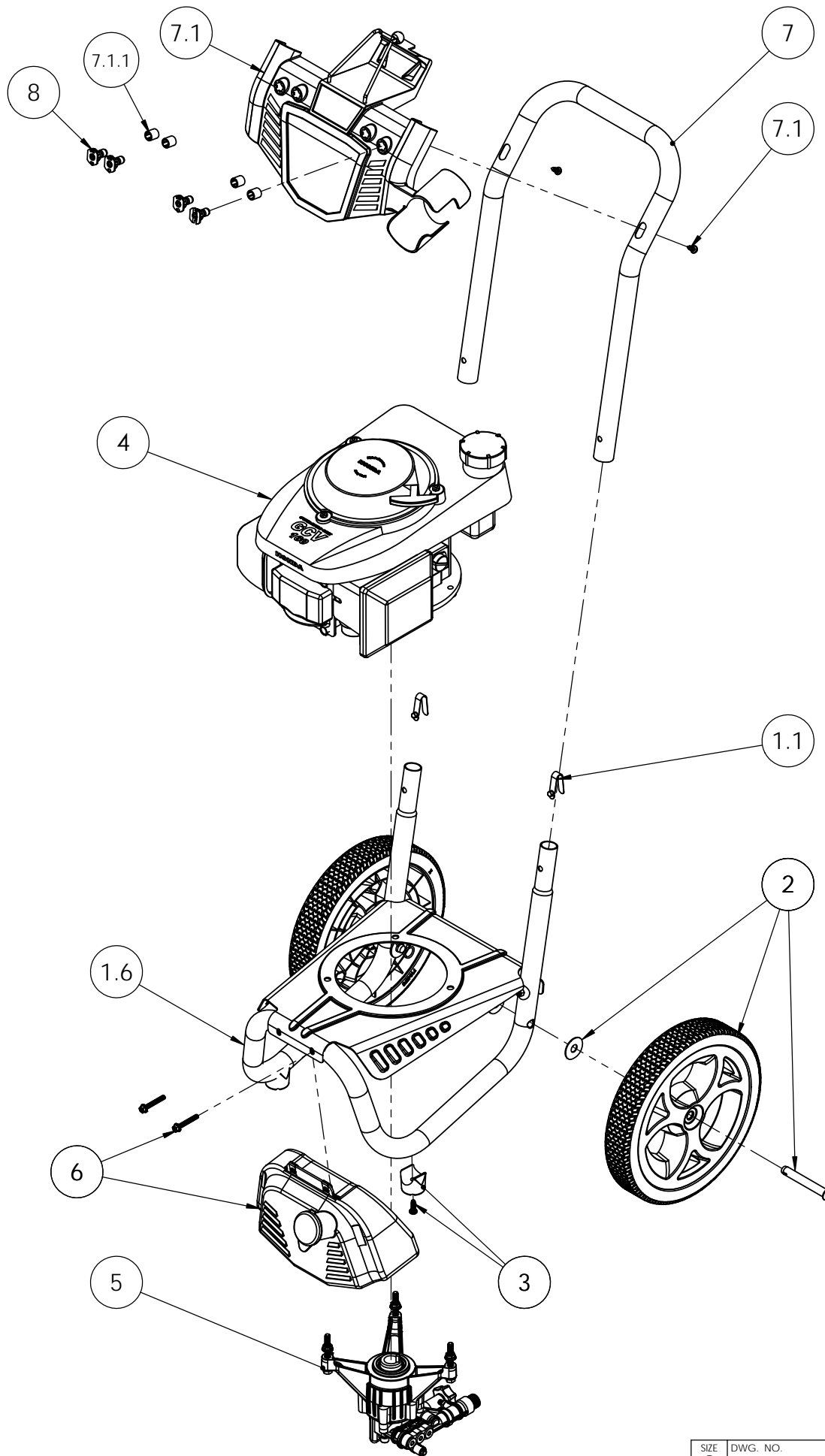


| ITEM NO. | PART NUMBER | DESCRIPTION | QTY. |
|----------|-------------|--|------|
| 1 | 7110753 | FRAME SERVICE ASSY, 60950 | 1 |
| 1.1 | 7102122 | BUTTON, SNAP | 2 |
| 2 | 7106790 | WHEEL KIT, AXLE, WHEEL, WASHER, CLIP | 2 |
| 3 | 7105468 | FOOT, SVC KIT FITTED RUBBER AND SCREW | 2 |
| 4 | 7110757 | ENGINE SVC ASSY W/ LABELS 60950 | 1 |
| 5 | 7109614 | PUMP, SVC ASSY | 1 |
| 6 | 7110754 | SOAP TANK SVC ASSY W/ LABELS 60950 | 1 |
| 7 | 7110756 | HANDLE SVC ASSY W/ LABELS 60950 | 1 |
| 7.1 | 7110755 | BONNET SVC ASSY W/ LABELS 60950 | 1 |
| 7.1.1 | 7105880 | NOZZLE HOLDER INSERT .610[15.5] X .630[16.0] | 4 |
| 8 | 7108546 | NOZZLE, 4 PC 1PCSS 1/4QC 0,15,40,&PSOAP | 1 |



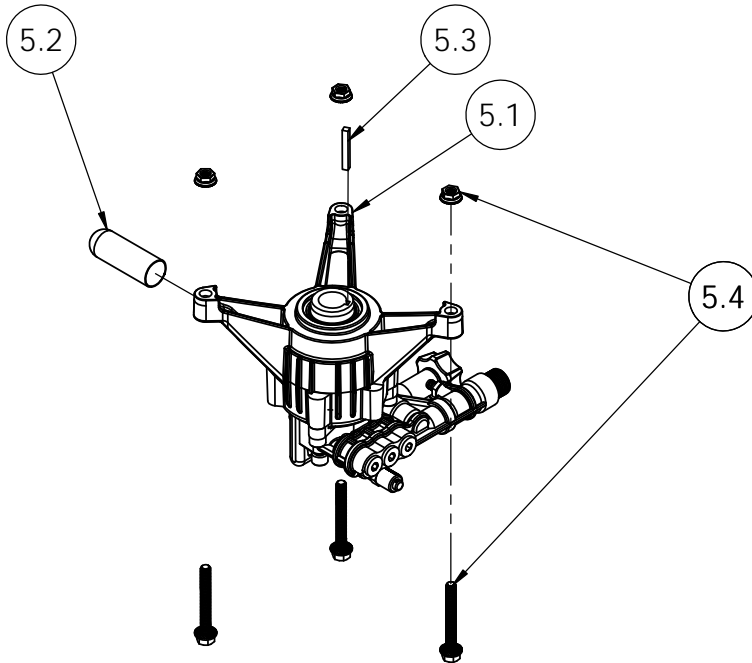
| NAME | | | DATE | | |
|---|--------|---------------|--|--|--|
| DRAWN | JHS | JAN 2018 | FNA-GROUP 1265 INDUSTRIAL STREET, DECATUR, AR 72722 60950 CUB CADET CC3024V 3000PSI @ 2.4GPM | | |
| CHECKED | DH/OSW | JAN 2018 | | | |
| ENG APPR. | OSW | JAN 2018 | | | |
| MFG APPR. | - | - | | | |
| O.A. APPR. | - | - | | | |
| SERVICE APPR. | DH | JAN 2018 | TITLE: SIZE DWG. NO. 60950-S REV. A | | |
| PROPRIETARY AND CONFIDENTIAL THE INFORMATION CONTAINED IN THIS DRAWING IS THE SOLE PROPERTY OF FNA-GROUP. ANY REPRODUCTION IN PART OR AS A WHOLE WITHOUT THE WRITTEN PERMISSION OF FNA-GROUP IS PROHIBITED. | | | | | |
| SCALE: | N/A | ECN# EC180005 | SHEET 1 OF 3 | | |



| | | |
|------------|---------------|--------------|
| SIZE | DWG. NO. | REV. |
| A | 60950-S | A |
| SCALE: N/A | ECN# EC180005 | SHEET 2 OF 3 |

| ITEM NO. | PART NO. | DESCRIPTION | QTY. |
|----------|----------|---|------|
| 5 | 7109614 | PUMP, SVC ASSY | 1 |
| 5.1 | 510020 | PUMP, VERT 12 mm X 11.5DEG, P/B 3 LEG UNIHD | 1 |
| 5.2 | | CAP, UNLOADER COVER 1 1/2" x 5/8" BLACK | 1 |
| 5.3 | 7101506 | KEY, SHAFT 3/16 X 3/16 X 1-1/2 | 1 |
| 5.4 | 7109580 | HARDWARE KIT, ENGINE/PUMP MOUNT | 1 |

† NOT SOLD SEPERATELY



| ITEM NO. | PART NO. | DESCRIPTION | QTY. |
|----------|----------|--|------|
| 9 | 7108160 | HOSE, MORFLEX 1/4" x 25' x 3200PSI M22 x M22 | 1 |
| 10 | 7107956 | GUN, OEM FRONT ENTRY, OF341 3400 PSI | 1 |
| 11 | 7103550 | LANCE, 16" W/ 1/4 QC AND M22(M) | 1 |
| * 12 | 7102045 | TOOL, NOZZLE CLEANING, UNIVERSAL | 1 |

* NOT SHOWN

